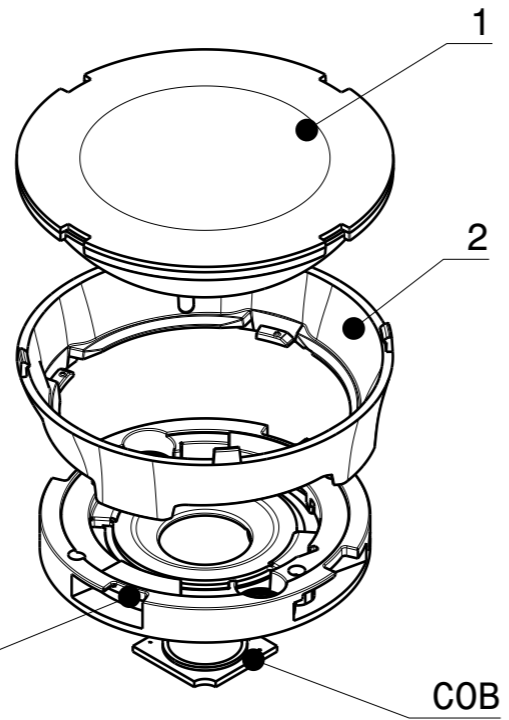
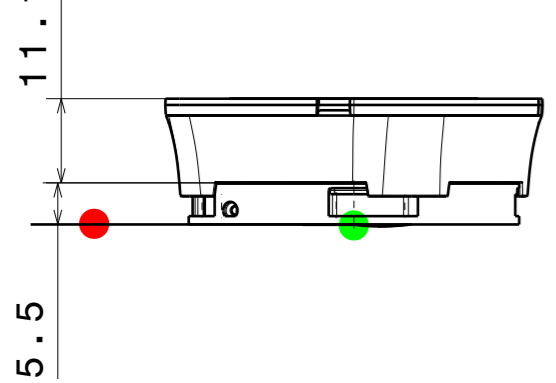


DATE  
17.03.2025

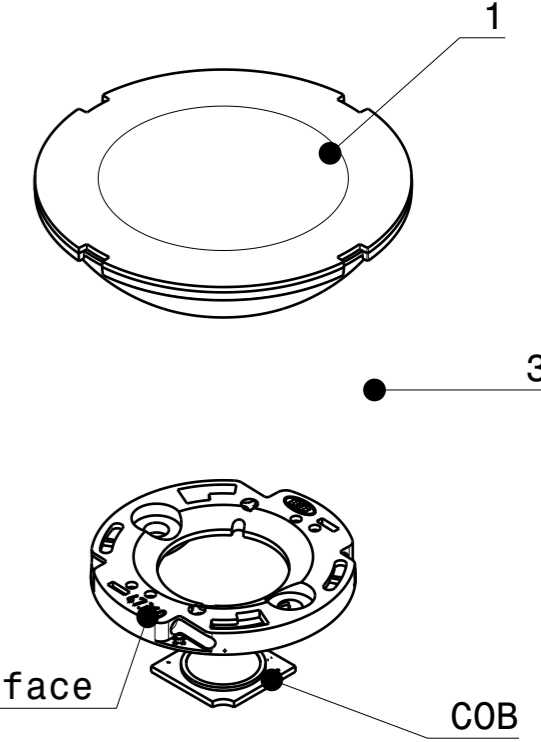
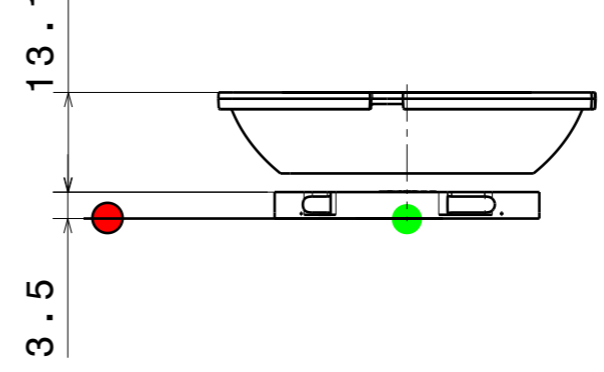
CP19127\_ AMY-50-S2-C2  
 CP19145\_ AMY-50-S2-C2-WHT  
 CP18855\_ AMY-50-S2-C2-PC  
 CP19379\_ AMY-50-S2-C2-WHT-PC



HEKLA  
Connector

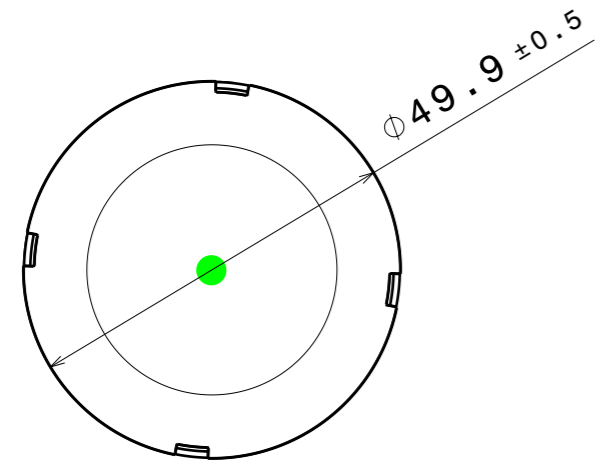
COB

CP19136\_ AMY-50-S2-B2  
 CP19154\_ AMY-50-S2-B2-WHT  
 CP18862\_ AMY-50-S2-B2-PC  
 CP19387\_ AMY-50-S2-B2-WHT-PC



Connector  
BJB / B+W 35mm-interface

COB



Top view  
Scale: 1:1

INDEX	PART	TYPE	QTY	MATERIAL	COLOUR/COATING	ASSEMBLY CODES
1	AMY-50-S2	LENS	1			
	C18040_ AMY-50-S2			PMMA	CLEAR	
	C18848_ AMY-50-S2-PC			PC	CLEAR	
2	HOLDER C	HOLDER	1			
	C19017_ AMY-50-HLD2-C			PC	BLACK	CP19127_ AMY-50-S2-C2 CP18855_ AMY-50-S2-C2-PC
	C19019_ AMY-50-HLD2-C-WHT			PC	WHITE	CP19145_ AMY-50-S2-C2-WHT CP19379_ AMY-50-S2-C2-WHT-PC
3	HOLDER B					
	C19018_ AMY-50-HLD2-B			PC	BLACK	CP19136_ AMY-50-S2-B2 CP18862_ AMY-50-S2-B2-PC
	C19020_ AMY-50-HLD2-B-WHT			PC	WHITE	CP19154_ AMY-50-S2-B2-WHT CP19387_ AMY-50-S2-B2-WHT-PC

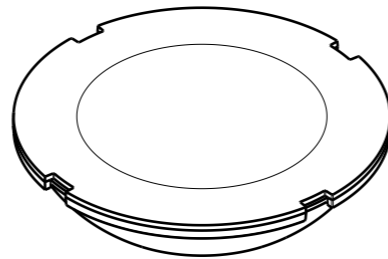
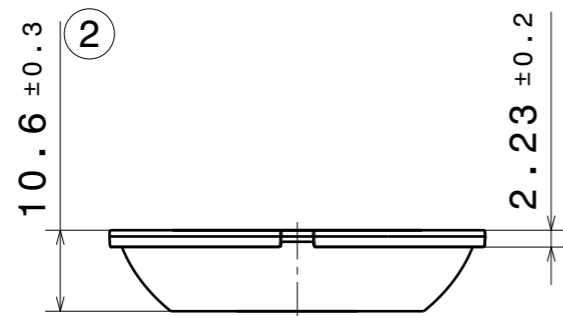
<b>MECHANICAL DRAWING</b>		<b>LEDiL</b>
PRODUCT <b>AMY-50-S2</b>		
Plastic moulding general tolerances according to DIN 16901-130 and applies if not otherwise shown in the drawing. Silicone moulding general tolerances according to ISO 3302-1 Class M3 and applies if not otherwise shown in the drawing.	FIRST ANGLE PROJECTION: 	This drawing is the property of LEDiL Oy. It may not be copied or otherwise distributed without prior written permission from LEDiL Oy.
SCALE 1:1	WEIGHT -	A3 SHEET 1/1

**Notes**

- PCB or heatsink level.
- LED location
- Ensure LED fitting from a product specific 3D model available from [www.ledil.com](http://www.ledil.com)
- For more details about installation please see LEDiL Installation Guide on [www.ledil.com](http://www.ledil.com)

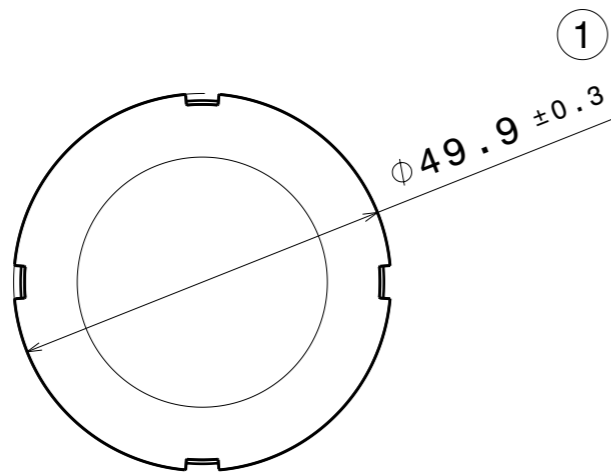
H G F E D C B A

4



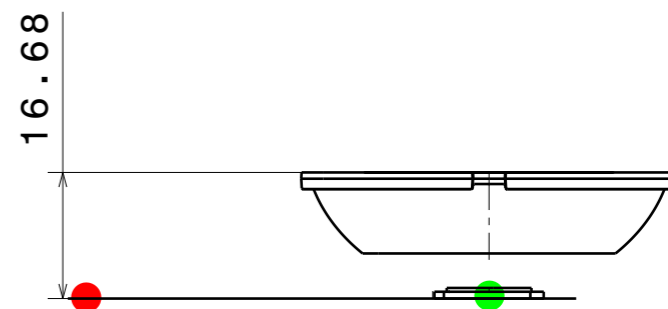
4

3



3

2



2

1

**Notes**

	PCB or heatsink level.
	LED location
	Ensure LED fitting from a product specific 3D model available from <a href="http://www.ledil.com">www.ledil.com</a>
	For more details about installation please see LEDiL Installation Guide on <a href="http://www.ledil.com">www.ledil.com</a>

PART	TYPE	MATERIAL	COLOR / COATING
C18040_AMY-50-S2	LENS	PMMA	CLEAR
C18848_AMY-50-S2-PC	LENS	PC	CLEAR

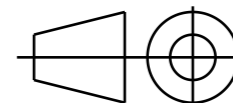
**MECHANICAL DRAWING**

PRODUCT **AMY-50-S2**

**LEDiL**

Plastic moulding general tolerances according to DIN 16901-130 and applies if not otherwise shown in the drawing. Silicone moulding general tolerances according to ISO 3302-1 Class M3 and applies if not otherwise shown in the drawing.

FIRST ANGLE PROJECTION:



This drawing is the property of LEDiL Oy. It may not be copied or otherwise distributed without prior written permission from LEDiL Oy.

SCALE 1:1

WEIGHT -

A3 SHEET 1/1

H G F E D C B A

1